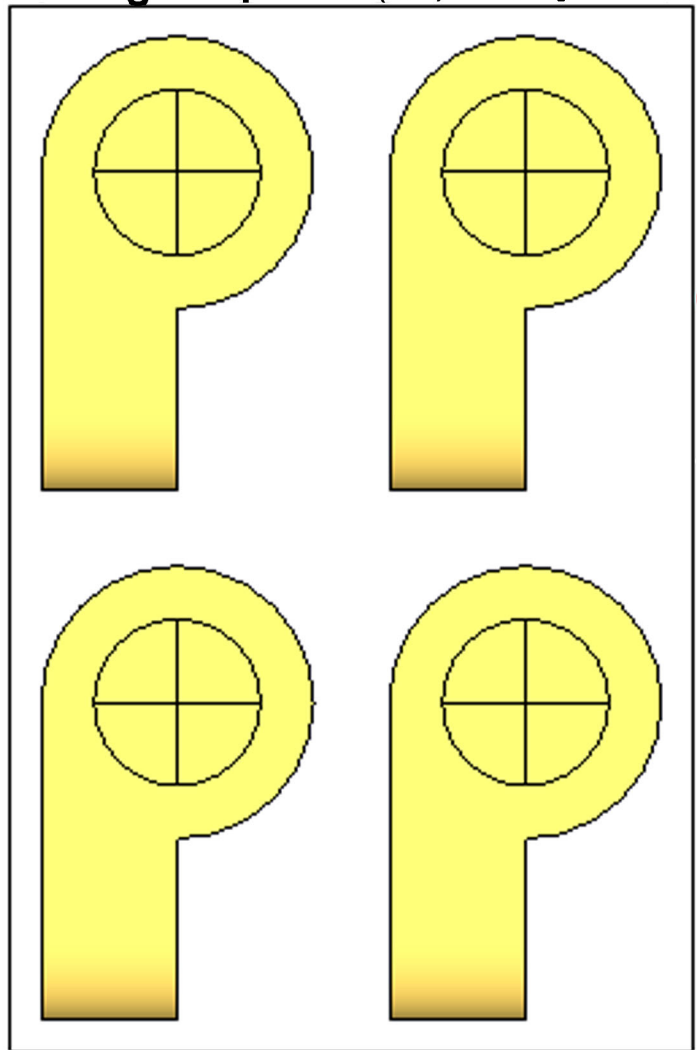


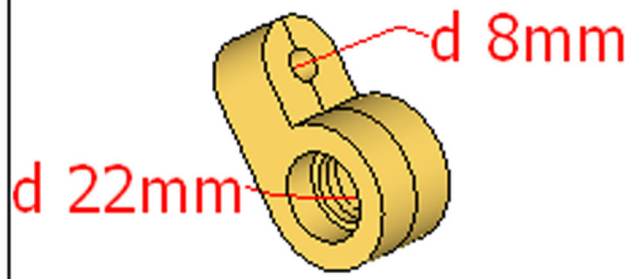
Homemade Bowl Sander Plans



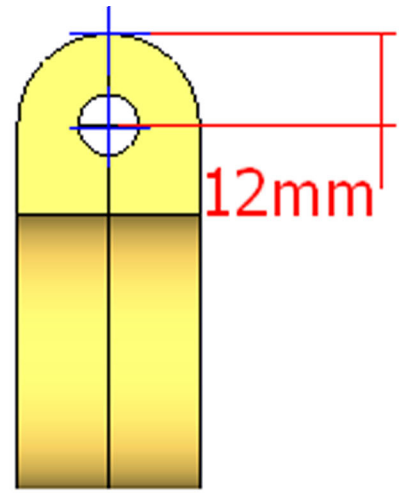
cutting templates (two, in case you mess up)



3D sideview



sideview (assambled)



Arbor assembly



All you need:

- 12mm (1/2") birch plywood
- wood for the handle
- two rollerblade bearings
- 8mm (5/16") hex-head bolt
- 8mm (5/16") carriage bolt
- nuts, wing-nut, washers
- foam material + glue
- Velcro®
- 50mm (2") or 75mm (3") sanding disk

[Link to the video](#)

